

**980nm 80mW~100mW Single Mode Laser Diode With TO18 | Built-in PD**

**976nm~980nm 80mW~100mW SMLD with 5.6mm TO18 Package**

WSLD-980-100m-1-PD

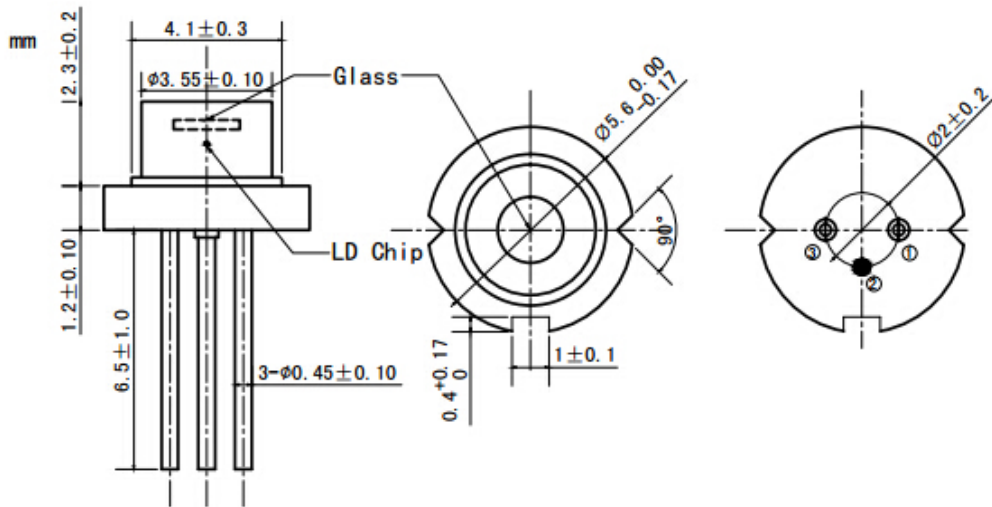
Wavespectrum Laser Group

www.wavespectrum-laser.com

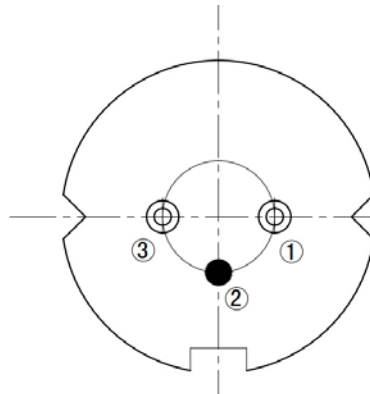
980nm Laser Diode		100mW/TO18		Wavespectrum Laser Group	
Reverse Voltage	$V_r$	2.0		V	
Operating Temperature	$T_{op}$	-10~+40		°C	
Storage Temperature	$T_{stg}$	-40~+85		°C	
Lead soldering temperature (10 sec.)	$T_{is}$	260		°C	
<b>Features:</b> <ul style="list-style-type: none"> <li>980nm</li> <li>Built-in PD</li> <li>Single Mode LD</li> <li>TO18 Package</li> </ul>					
<b>Applications:</b> <ul style="list-style-type: none"> <li>Medical Laser Treatment</li> <li>Laser Indicator</li> <li>Laser Detector</li> </ul>					
<b>Specifications</b>		<b>WSLD-980-100m-1-PD</b>			
		Min	Type	Max	
Center Wavelength@25°C		±5nm	976nm	±10nm	
Spectral Width (FWHM)		----	2.0nm	----	
Output Power		----	80mW	100mW	
Emitter Size		----	5um*1um	----	
Beam Divergence (FWHM)		----	42°± x 10° //	----	
Temperature Coefficient of Wavelength		----	0.3nm / °C	----	
Slope Efficiency		----	0.8mW/mA	----	
Threshold Current (Typ.)		----	20mA	50mA	
Operating Current (Typ.)		----	130mA	150mA	
Operating Voltage		----	2.0V	2.5V	
Monitor Current		----	0.2mA	----	
Recommend Operating Temp		25°C			
Package Style		TO18			



### TO18 Package View



### Pin Out View



1	LD(-)
2	LD(+)&PD(-)
3	PD(+)

