

850nm 300mW Laser Diodes With Photodiode | High Power Infrared LD with PD

850nm Multi-mode LD | 300mW Output Power TO18 5.6mm package

WSLD-850-300m-1-PD

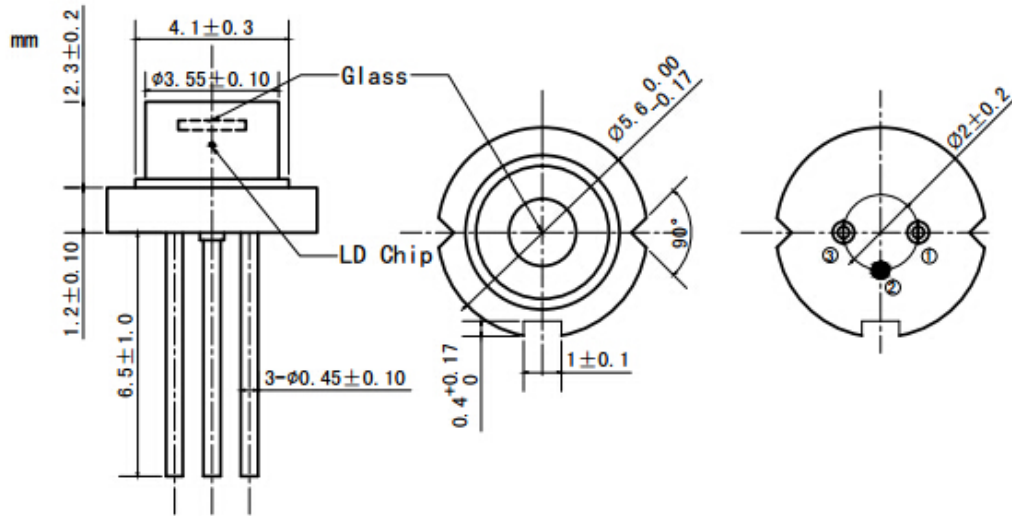
Wavespectrum laser Group

www.wavespectrum-laser.com

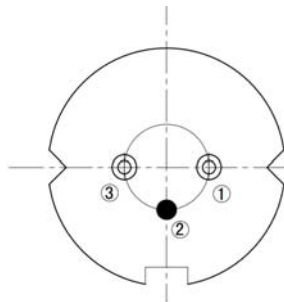
850nm Laser Diode 300mW/PD		Wavespectrum Laser Group		
Reverse Voltage	V_r	2	V	
Operating Temperature	T_{op}	-10~+50	°C	
Storage Temperature	T_{stg}	-40~+85	°C	
Lead soldering temperature (10 sec.)	T_{is}	260	°C	
Features: <ul style="list-style-type: none"> 850nm CW Built-in PD Optional TO18 package 				
Applications: <ul style="list-style-type: none"> Medical laser treatment Laser indicator Laser detector 				
Specifications		WSLD-850-300m-1-PD		
		Min	Type	Max
Center Wavelength@25°C		840nm	850nm	860nm
Spectral Width (FWHM)		----	2.0nm	----
Output Power		----	300mW	----
Emitter		----	Single	----
Beam Divergence (FWHM)		----	18° \perp x 12° \parallel	24° \perp x 17° \parallel
Monitor Current		----	0.2mA	----
Slope Efficiency		----	0.95mW/mA	----
Threshold Current (Typ.)		----	120mA	150mA
Operating Current (Typ.)		----	440mA	470mA
Operating Voltage		----	1.9V	2.5V
Package Style		TO18		
Recommend Operating Temperature		25°C		



TO18 mm Package View



PIN Bottom View:



1	LD(-)
2	LD(+) & PD(-)
3	PD(+)

Electrically shorten LD module and store in non-extreme conditions.

Suggest using the constant current power supply.

