



405nm 20mw SM Laser Diode | Single Mode LD

405nm LD|20mw Power|TO18 Package

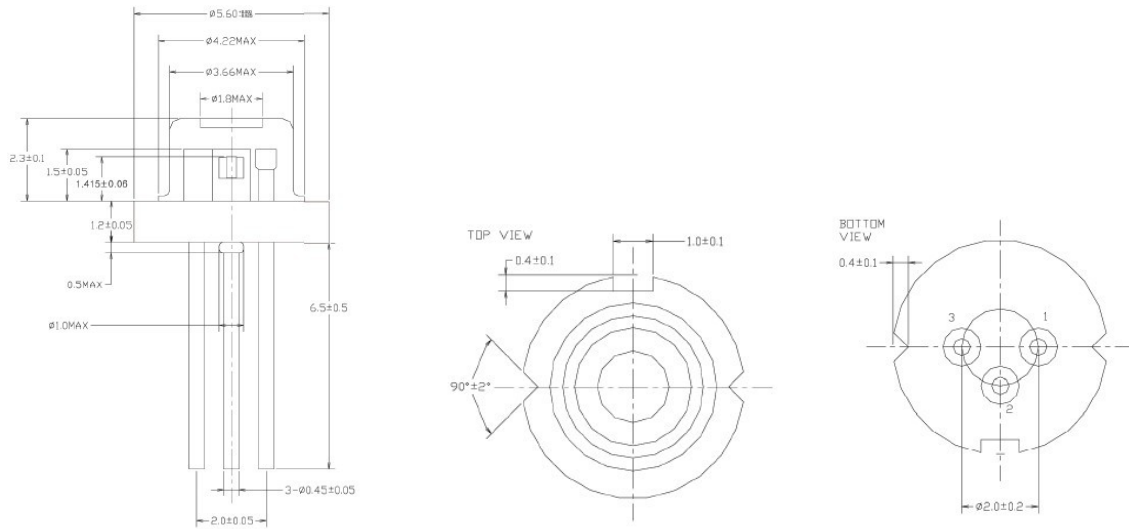
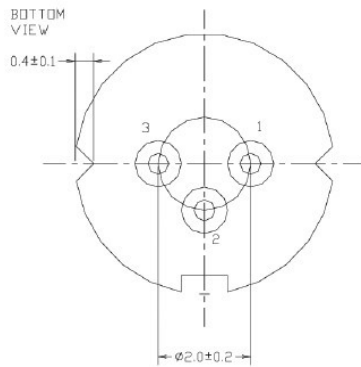
WSLD-405-020m-1

Wavespectrum Laser, Inc.

www.wavespectrum-laser.com

| 405nm Laser Diode   |           | 20mw  |                 | Wavespectrum Laser, Inc |  |
|---|-----------|---|-----------------|-------------------------|--|
| PARAMETER   | SYMBOL    | VALUE   |                 | UNIT                    |  |
| Reverse Voltage   | $V_r$     | 2.0   |                 | V                       |  |
| Operating Temperature   | $T_{op}$  | 0 ~ +75   |                 | °C                      |  |
| Storage Temperature   | $T_{stg}$ | -40 ~ +85   |                 | °C                      |  |
| Lead soldering temperature (10 sec.)  | $T_{is}$  | 260   |                 | °C                      |  |
| <b>Features:</b> <ul style="list-style-type: none"> <li>405nm</li> <li>CW</li> <li>TO18 package</li> <li>Single Mode</li> </ul> |           |  |                 |                         |  |
| <b>Applications:</b> <ul style="list-style-type: none"> <li>Medical Cure</li> <li>Printing</li> </ul>                           |           |   |                 |                         |  |
| <b>Specifications</b>   |           | <b>WSLD-405-020m-1</b>  |                 |                         |  |
|   |           | Min   | Type            | Max                     |  |
| Center Wavelength@25°C  |           | 395nm   | 405nm           | 415nm                   |  |
| Spectral Width (FWHM)   |           | 2.0nm   |                 |                         |  |
| Output Power  |           | ----  | 10mW            | 20mW                    |  |
| Emitter   |           | Single  |                 |                         |  |
| Beam Divergence (FWHM)  |           | 16° ± x 6° //   | 19° ± x 8.5° // | 23° ± x 12° //          |  |
| Monitor Current   |           | ----  | ----            | ----                    |  |
| PD Reverse Voltage  |           | ----  |                 |                         |  |
| PD Forward Current  |           | ----  |                 |                         |  |
| Slope Efficiency  |           | 0.7mW/mA  | 1.1mW/mA        | ----                    |  |
| Threshold Current (Typ.)  |           | ----  | 26mA            | 50mA                    |  |
| Operating Current (Typ.)  |           | ----  | 35mA            | 60mA                    |  |
| Operating Voltage   |           | 4.8V  |                 | 5.6V                    |  |
| Package Style   |           | TO18(5.6mm)   |                 |                         |  |



**TO18(5.6mm) Package View**

**PIN Bottom View:**


|          |              |
|----------|--------------|
| <b>1</b> | <b>LD(-)</b> |
| <b>2</b> | <b>GND</b>   |
| <b>3</b> | <b>LD(+)</b> |

Electrically shorten LD module and store in non-extreme conditions.  
 Suggest using the constant current power supply.

